



SPECIFICATION SHEET

Model #:	_____	Qty:	_____
Project #:	_____		
Consultant:	_____		

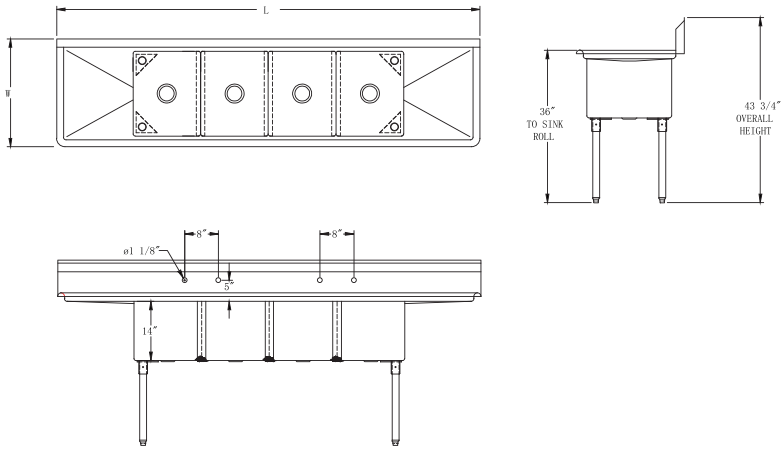
QUALITY FOOD SERVICE EQUIPMENT

ECONOMY SINKS



DIMENSIONS

4 bowls - 2 drainboards



MATERIAL

- ◆ 18GA 300 stainless steel fabricated
- ◆ Galvanized legs & gussets
- ◆ Plastic bullet feet

FEATURES

- ◆ 10"H backsplash with 2" return to wall
- ◆ Has 2 sets of 8" on center splash mount faucet holes
- ◆ 3-1/2" die-stamped drain opening
- ◆ 2 drainboards (1 on each side)
- ◆ Adjustable bullet feet

Model#	Bowl Size LxWxH	Length	Width	Drainboard Size
4SG-162014LR18*	16" X 20" X 14"	100"	25-1/2"	18"

(609) 642-8389 | sales@nbrequipment.com | www.nbrequipment.com